

OWNER'S MANUAL



**Pentair
Water**



Installation and User's Guide



Mako Shark

The All-in-One Pool Cleaner

Inground Suction Pool Cleaner

Important safety instructions
Read and follow all instructions
Save these instructions

Table of Contents

Page

Safety Information	2
Component Checklist	3
Easy Steps In-Ground Installation Guide	4-7
Maintenance	8-9
Trouble Shooting	10
Replacement Parts	11
Warranty	15

Safety Information

WARNINGS -

Please read the following before installing your new automatic pool cleaner!

- Hazardous suction can cause injury and drowning. Do not play with cleaner or hose or apply to body. Do not let children use or play with pool cleaner. Turn off pump before attempting to clean unit.
- Do not allow swimmers in pool while pool cleaner is operating.
- Suction entrapment, injury and drowning hazard. If your pool has a dedicated suction port (vacuum port) for vacuuming or for an automatic pool cleaner, it must be covered when not in use. If your dedicated suction port does not have a spring loaded cover (vacuum lock fitting) purchase one from your local pool store and install it before connecting pool cleaner to dedicated suction port.
- If your pool is exposed to large quantities of leaves, we suggest purchasing and installing an in-line leaf trap. A leaf trap will provide more debris-loading capacity and also provides a water by-pass when the basket is full. It is very important that the pump will get sufficient water flow!

Before Installation

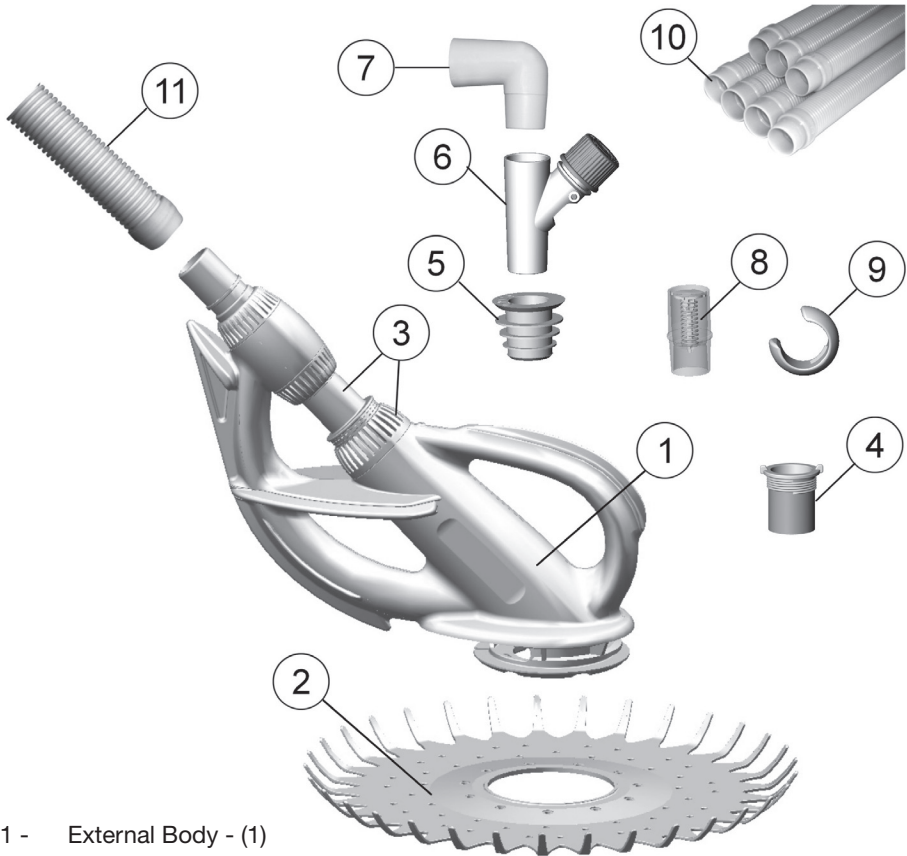
Important for vinyl liner pool owners:

Before installing the MakoShark pool cleaner, examine the interior of your pool carefully. If your vinyl liner is brittle or has stones, wrinkles or metal corrosion in contact with the bottom side of the liner, or has damage to the base or supporting walls, do not install the MakoShark pool cleaner before having a qualified professional perform the necessary repairs.

Important for gunite pool owners:

Before installing the pool cleaner in a gunite (concrete) pool or pool that is partially or completely tiled, check closely for loose tiles and loose light fittings. Do not install the MakoShark pool cleaner before having a qualified professional perform the necessary repairs.

Component Checklist



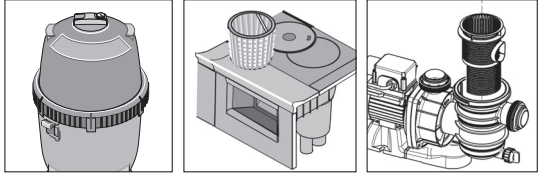
- 1 - External Body - (1)
- 2 - Suction Seal - (1)
- 3 - Swivel & Nut Assembly - (1)
- 4 - Threaded Adaptor (1)
- 5 - Skimmer Adaptor Cuff - (1)
- 6 - Adjustable Regulator Valve - (1)
- 7 - 90 Degree Elbow - (1)
- 8 - Flow Gauge - (1)
- 9 - Hose Weight - (2)
- 10 - Hose - 1m Sections "colour: Translucent with Blue Stripes" - (9)
- 11 - Leader Hose - 1m Section "colour: Solid Dark Blue" - (1)

“Easy Steps” In-Ground Installation Guide

Step 1: Pool Preparation

Vacuum your pool manually to remove all debris and algae before installation.

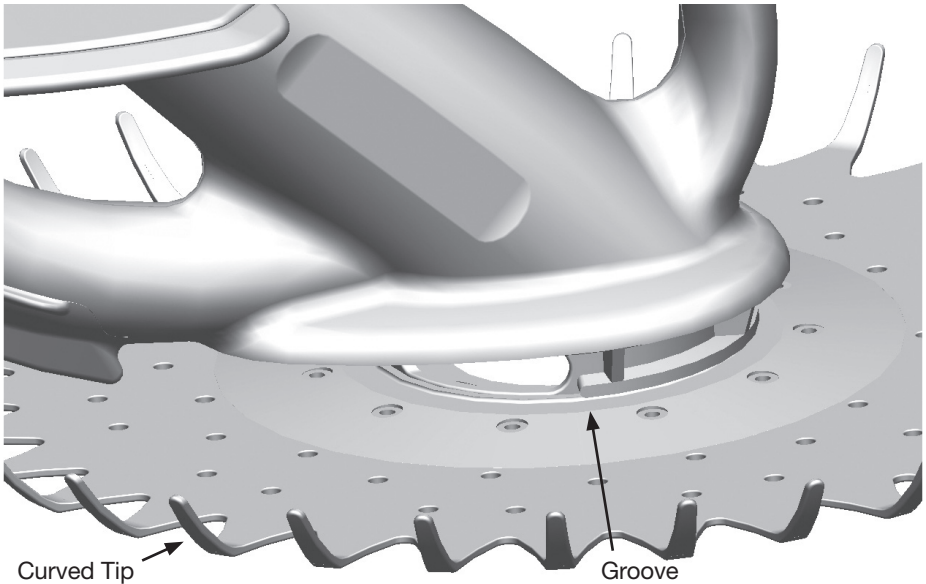
Clean your filter system, skimmer basket, and pump strainer basket.



Step 2: Deflector Wheel Installation

Vacuum your pool manually to remove all debris and algae before installation.

Clean your filter system, skimmer basket, and pump strainer basket.



Step 3: Vacuum Seal Installation

1. Pull the Vacuum Seal over the Cleaner's Foot Pad so that it will fit properly into the Foot Pad's groove as shown in the illustration.
2. Ensure that the curved tips face upwards
3. Ensure with your hand that the Vacuum Seal rotates freely once it has been inserted into the groove.

“Easy Steps” In-Ground Installation Guide

Step 4: Skimmer Connection



Waterco Skimmer Box

Screw in the threaded adaptor from the top of the skimmer plate



Poolrite Skimmer Box

Screw in the threaded adaptor from the bottom of the skimmer plate

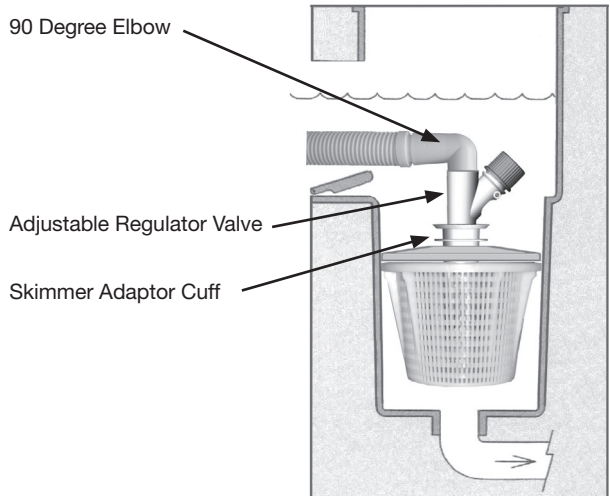
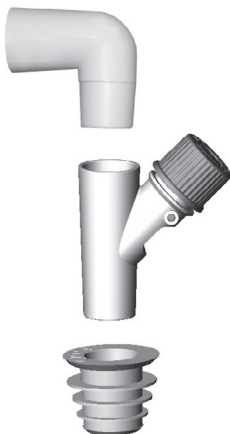


Quipton Skimmer Box

Screw in the threaded adaptor from the top of the skimmer plate

Different brands of skimmer box

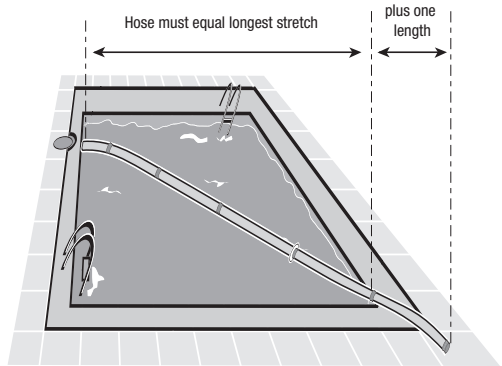
Attach; Skimmer Adaptor Cuff into skimmer plate, then attach Adjustable Regulator Valve & 90 Degree Elbow to skimmer plate. Then connect one end of submerged hose into the 90 Degree Elbow.



“Easy Steps” In-Ground Installation Guide

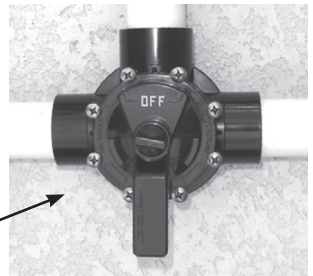
Step 5: Hose Assembly

Connect together as many hose sections as needed to reach from the vacuum source to the farthest point of the pool, plus one section. The soft leader hose needs to be the very first hose attached to the pool cleaner.



Step 6: Close Main Drain (Bottom Drain)

Connect together as many hose sections as needed to reach from the vacuum source to the farthest point of the pool, plus one section. The soft leader hose needs to be the very first hose attached to the pool cleaner.



Shut off valve

Step 7: Water Flow Adjustment

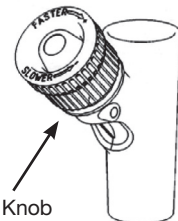
Insert the Flow Gauge at the end of submerged leader hose.

With the pump running adjust the Regulator Valve knob “Faster” or “Slower” until the disc indicator in the Flow Gauge settles between “Maximum” and “Minimum” flow.



If you have a very strong pump you may need to open the main drain (bottom drain) only slightly.

Turn the pump off. Remove the Flow Gauge and connect the cleaner to the hose. Then turn the pump on.



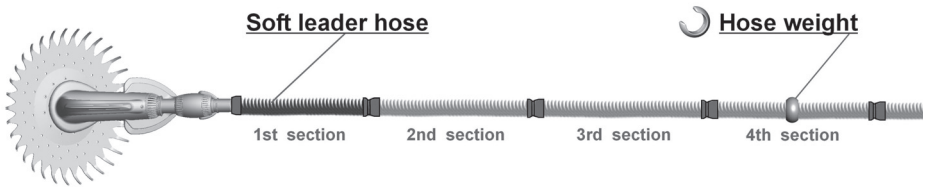
Regulator Valve Knob

“Easy Steps” In-Ground Installation Guide

Step 8: Leader Hose & Hose Weight Placement

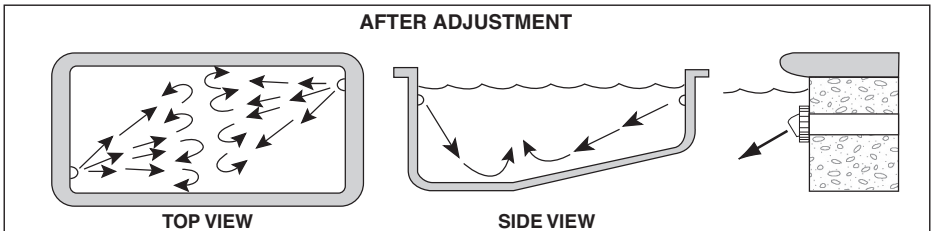
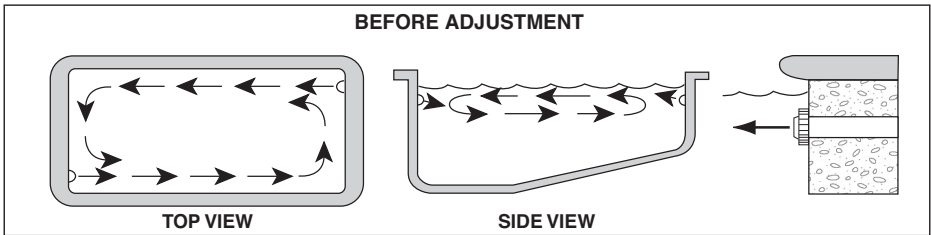
Soft leader hose needs to be the very first hose attached to the pool cleaner.

Note: soft leader hose is a solid dark blue colour. Hose weight is not required for most pools. For deep pools place the hose weight in the center of the 4th hose section. For very deep pools if necessary place the second hose weight in the middle of the 5th hose section



Step 9: Return Jets Adjustments

The cleaner must move randomly throughout the pool. Water circulating at the surface will influence the hose thus limiting coverage. Adjust return line flow slightly downwards and try different directions to see what works best in your pool. Allow time for the body of water to settle into the new pattern.



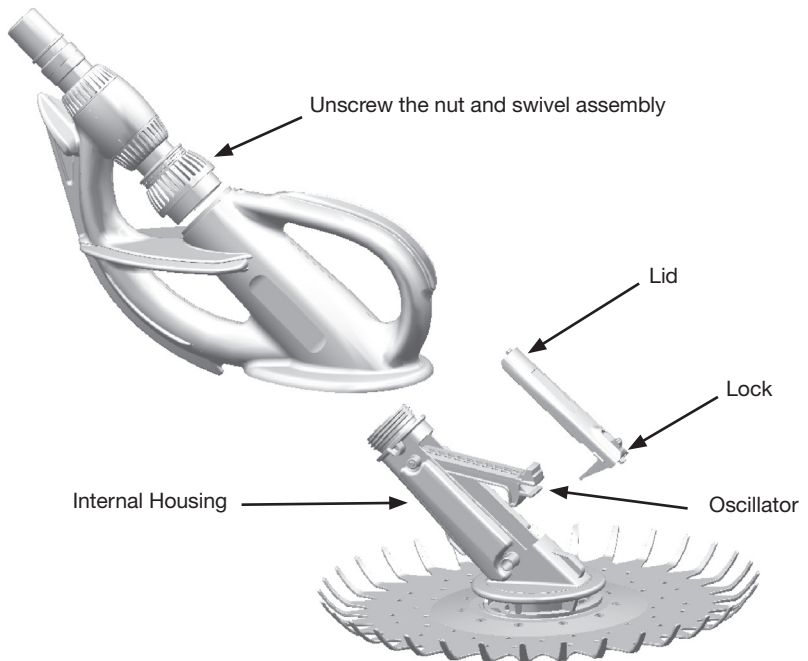
Maintenance

Your MakoShark Pool Cleaner requires very little maintenance. Check the following from time to time.

It is quick and easy to open up the Oscillator's chamber. First stop the pump. Unscrew the pipe and nut swivel and slide internal housing out of the external body. Push the sliding lock up into open position and remove the lid. With your finger lift and inspect the Oscillator and the chamber to insure that it is not obstructed with debris.

See picture:

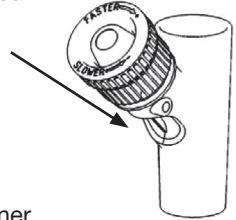
Also insure that the Oscillator is moving freely up and down and that it is securely clipped onto the steel pin. Then place the lid back and slide the lock down to close and reassemble the unit.



To remove damaged or worn Oscillator; no tools are required. Simply grab the Oscillator, pull and waggle outward until it unclips from the steel pin. To install the new Oscillator push it in firmly (TOP side up as marked) onto the steel pin until it snaps in place. If the Oscillator is clipped in the wrong way (TOP side down) you will not be able to close the lid.

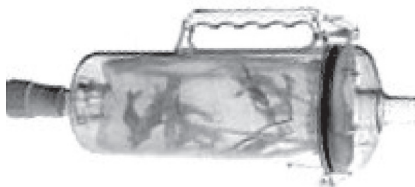
Maintenance

- Check the Vacuum Seal for wear. If it becomes thin and too floppy, it will impair the correct random movement of the Cleaner and should be replaced.
- Inspect the Regulator Valve and flush away any debris build up.
- Clean your filter system.
- Empty the Skimmer Basket.
- Empty the Pump Strainer Basket.
- Use your Flow Gauge to insure correct water flow for your Cleaner.
- For best results and to maintain proper operation, use only original hoses.
- **Note: Remove the Cleaner from the pool before a chemical shock treatment!!**
- When not in the pool, keep the Cleaner's Vacuum Seal flat to avoid warping.
- Your Cleaner can stay in the pool at all times, however, when people are using the pool, disconnect the Cleaner and pull it to one side of the pool.
- When storing or winterizing the Cleaner, do not coil the hoses. Disconnect each hose section and lay them flat in an area protected from direct sunlight. It is also important to remove the Vacuum Seal from the Cleaner and store it flat.



In-Line Leaf Canisters

If your pool is exposed to large quantities of leaves, we suggest purchasing and installing an in-line leaf canister. A leaf canister will provide more debris-loading capacity and also provides a water by-pass when the canister is full. It is very important that the pump will not starve for water!



Troubleshooting

Problem: Cleaner is sluggish or has stopped operating.

- Solution:**
- Check Cleaner for blockage inside the Oscillator chamber. Refer to Maintenance on page 8.
 - Clean your filter system, empty pump basket and empty skimmer basket. Refer (Step 1).
 - Inspect the Regulator Valve and flush away any debris buildup.
 - Check hose sections for blockages.
 - Check hose sections for leaks by lifting each section above water.
 - Using your Flow Gauge, verify proper water flow to your Cleaner. Refer (Step 7).

Problem: Cleaner gets stuck on the steps:

- Solution:**
- Adjust the Eyeball Diverter of the return flow towards the problem area to guide the Cleaner away from the steps.
 - Verify proper hose length (Step 5) and correct position of the Hose Weight(s) (Step 8).
 - Remove or add one hose section.
 - Using your Flow Gauge, verify proper water flow to your Cleaner. (Step 7)
 - Using your Flow Gauge, Increase or decrease the flow to your cleaner within the Maximum/Minimum range (Step 7).

Problem: Cleaner travels in repetitive pattern.

- Solution:**
- Adjust Eyeball Diverter as described in diagrams. (Step 9).
 - Verify proper hose length (Step 5) and correct position of the Hose Weight(s) (Step 8).
 - Remove or add one hose section.
 - Check that the hose sections are straight. Straighten up any bent or coiled hose sections by laying them in the warm sun for a day or two.

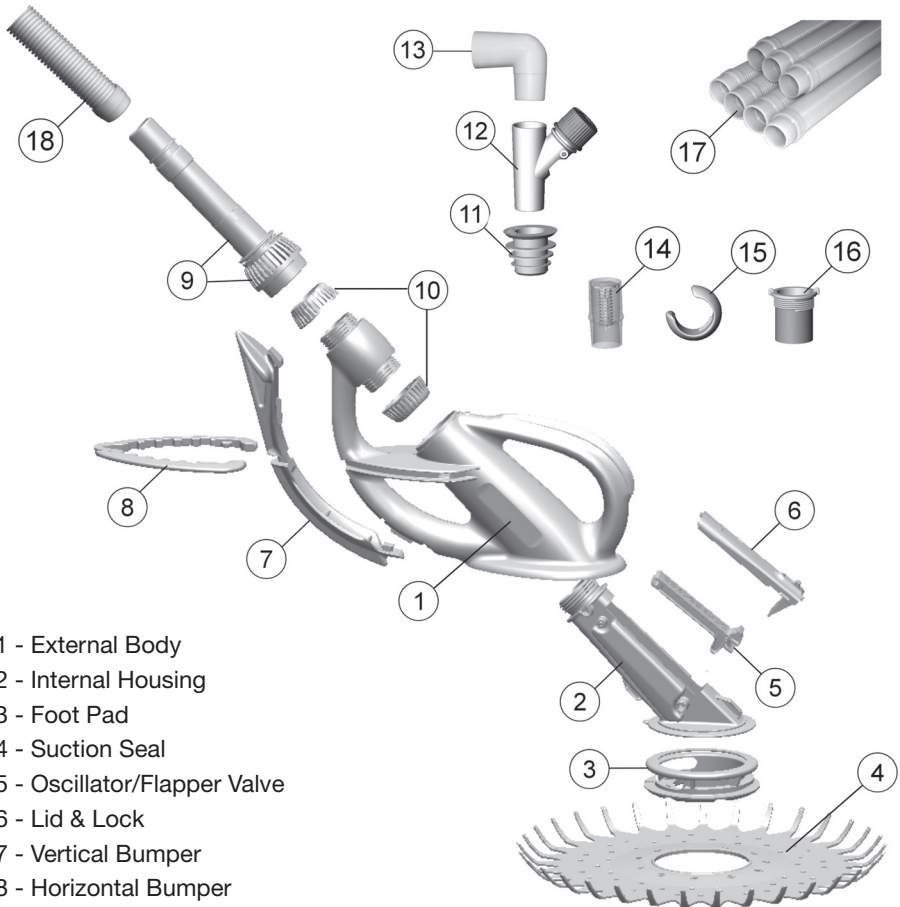
Problem: Cleaner does not transit onto the wall.

- Solution:**
- Using your Flow Gauge, verify proper water flow to your Cleaner. Refer (Step 7).
 - Increase the water flow slightly by turning the knob on the adjustable regulator valve.
 - Verify proper hose length (Step 5) and correct position of the Hose Weights (Step 9).

Problem: Cleaner stays in one side of the pool.

- Solution:**
- Adjust Eyeball Diverter as described in diagrams. (Step 9).
 - Adjust Eyeball Diverter as necessary to guide the Cleaner to the other side of the pool.
 - Verify proper hose length (Step 5) and correct position of the Hose Weight(s) (Step 8).
 - Remove or add one hose section.

Replacement Parts



- 1 - External Body
- 2 - Internal Housing
- 3 - Foot Pad
- 4 - Suction Seal
- 5 - Oscillator/Flapper Valve
- 6 - Lid & Lock
- 7 - Vertical Bumper
- 8 - Horizontal Bumper
- 9 - Swivel & Nut Assembly
- 10 - Fastening Nuts
- 11 - Skimmer Adaptor Cuff
- 12 - Adjustable Regulator Valve
- 13 - 90 Degree Elbow
- 14 - Flow Gauge
- 15 - Hose Weight
- 16 - Threaded Adaptor
- 17 - Hose - 1m Sections "colour: Translucent with Blue Stripes"
- 18 - Leader Hose - 1m Section "colour: Solid Dark Blue"

Warranty

We warrant your new pool cleaner machine unit to be free from defects in material and workmanship for 3 Years from date of purchase, subject to our standard conditions of sale. Please return the attached reply card to ensure your warranty is recorded.

Standard Conditions of Sale.

The Warranty excludes:

- Defects in the hose. (Genuine pool cleaner hoses are warranted for three years against the manufactured defects.)
- Pool cleaner warranty terms and conditions apply.
- Normal wear and tear of the Footpad and Suction Seal. These must be checked monthly and replaced when worn.
- Damage due to abnormal use, lack of care, negligence, undue exposure to sun, heat, and all such acts or omissions beyond our control.
- Damage caused by an incorrect chemical balance in the swimming pool.
- Any obligation other than the obligation to repair or replace defective parts.
- Discolouration of parts. (Your pool cleaner may become discoloured as a result of being subjected to use in your swimming pool. Such discolouration, however, shall in no way affect the cleaner's operating ability.) The pool cleaner Warranty is given in place of all warranties, guarantees, express or implied, of merchantability, fitness for particular purpose, or otherwise.
- The warranty is not transferable.

IMPORTANT

Please attach your sales invoice/docket here as proof of purchase should warranty service be required.
Please do not return Warranty - Retain for your records.

Purchased From
Purchase Date..... Serial No..... Model No.....



Pacific
Australia

Head Office
Pentair Water Australia Pty Ltd
Notting Hill Victoria, Australia
Tel: 1300 137 344 Int. Tel: +613 9574 4000
Fax: 1800 006 688 Int. Fax: +613 9562 7237
Email: au.sales@pentair.com
www.pentairwater.com.au

Pentair Water New Zealand Ltd
Tel: 0800 654 112

North, Central
& Latin America

1620 Hawkins Avenue Sanford, North Carolina, 27330
Phone: 1-800-831-7133
www.pentaircommercial.com

Europe,
Middle East
and Africa

Toekomstlaan 30, 2200 Herentals, Belgium
Phone: +32-14-25-99-11 Fax: +32-14-25-99-73
Email: poolemea@pentair.com

Asia

China www.pentairwater.com
India www.pentairwater.com

© information contained here-in remains the property of Pentair Water Pty (Ltd). Any reproduction, display, publication, modification or distribution is strictly prohibited without the prior written permission of Pentair Water Pty (Ltd).

Disclaimer: Every endeavour has been made to publish the correct details in this data sheet.

No responsibility will be taken for errors, omissions or changes in product specifications.

Pentair Water reserves the right to change specifications