

FREQUENTLY ASKED QUESTIONS

Is there a difference between 'salt chlorinator' chlorine and 'normal' chlorine?

A salt chlorinator makes chlorine the same way a chlorine factory does. The difference is that it is manufactured in your pool, which is passing an electric current through a solution of brine (common salt dissolved in water). Liquid chlorine is approximately 12.5% pure, whereas Hydrochlor's chlorine is 100% pure.

Will I ever need to add standard pool chlorine again?

From time to time it may become necessary to add some chlorine to the pool. This may be due to heavy rain or if the chlorine level needs to be shocked back up.

Does the salt damage pool equipment?

No. Low levels of salt have relatively insignificant corrosive effects on pool fittings and equipment.

How do I get started?

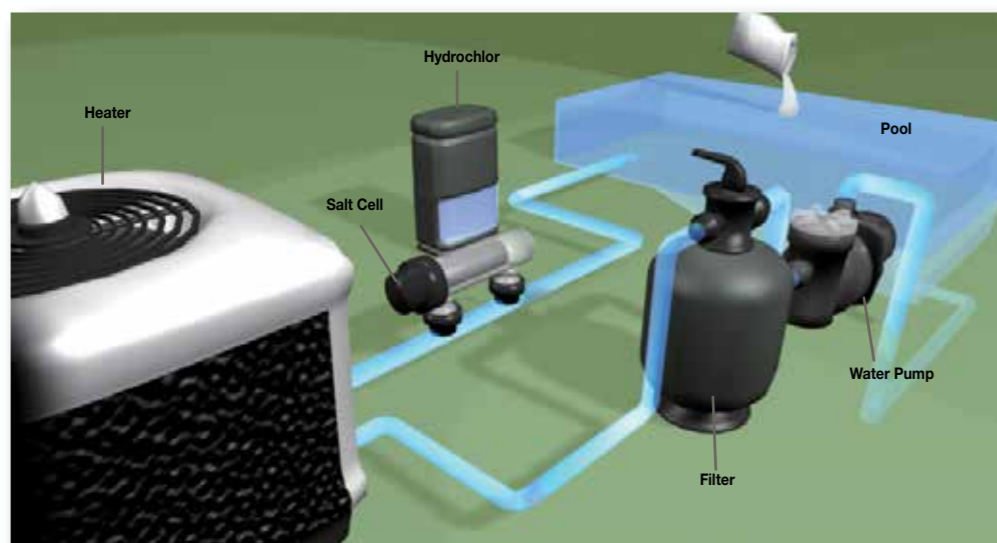
It's easy! After installing your salt chlorinator, you simply add the recommended amount of salt to your pool and choose your desired chlorine level.

How much salt will I need?

1 kg of salt in 1,000 litres of water raises the salt level by 1,000ppm. Therefore, 300kg of salt will raise a 50,000 litre pool from 0 ppm to 6,000 ppm.

What type of salt should I use?

High purity salt - and it's important the salt does not contain additives. Any common salt (like table salt) usually has an additive that may have staining properties.



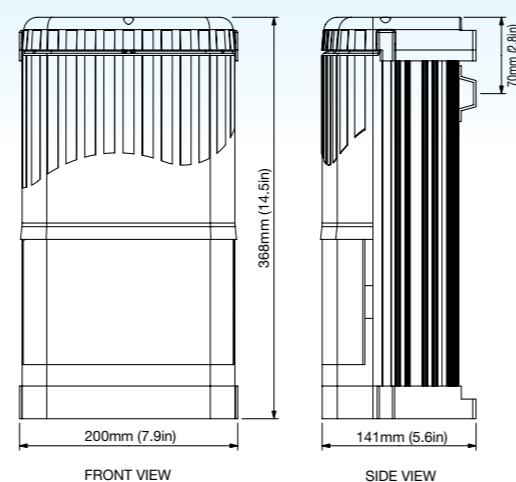
The Hydrochlor TS is plumbed directly in-line with the pool equipment, typically after the heater

Salts Level – Operation:

Salt Levels (ppm)		
Minimum = 4000	Optimum = 5000	Maximum = 6000

Note: Low salt level will reduce the life of the salt cell and lead to low chlorine production

Hydrochlor TS Power Pack Dimensions

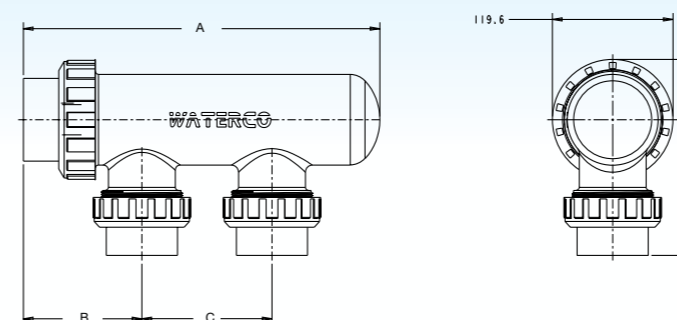


Two Year Warranty:

Hydrochlor TS	2 years
Titanium cell	2 years
Power pack	2 years
Commercial Installations	1 year

*Please refer to Waterco's Warranty terms and conditions.

Hydrochlor TS Cell Housing Dimensions



Model	A (mm)	B (mm)	C (mm)	D (mm)
30 SC	423.5	136.5	180	188.8
20 SC/25 SC	353.5	117.5	129	194.3

Hydrochlor TS Technical Specifications

Model	Input Watt (W) max	Output current DC (A) max	Chlorine Production (g/hr)	Max Pool Capacity (L) Climate	
				Temperate	Tropical
Hydrochlor TS 20SC	290	20	20	80,000	48,000
Hydrochlor TS 25SC	330	25	25	100,000	60,000
Hydrochlor TS 30SC	380	30	30	120,000	72,000

	20 SC	25 SC	30 SC
Primary Input (Volts) / Frequency (Hz)	220-240 / 50-60	220-240 / 50-60	220-240 / 50-60
Input Power (W)	290	330	380
Maximum Total Current (A)	10	10	10
Pump Outlet Maximum (A)	8	8	8
Cell Voltage (V)	6 - 8	6 - 8	6 - 8
Degree of Protection	IP23	IP23	IP23

These chlorinators are approved and conformed to AS3136 Swimming Pool Equipment, as a prescribed article under Australian Registration. These Chlorinators conform to the Australian Electromagnetic Compatibility Standard marked by the C-tick.

HYDROCHLOR TS

Salt water pool chlorinator

- Easy to program analogue timer
- Self cleaning titanium electrolytic cell
- Battery backup



WATERCO
water, the liquid of life

OFFICES - AUSTRALIA
NSW - Sydney (Head Office)
Tel: +61 2 9898 8800
QLD - Brisbane
Tel: +61 7 3299 9900
VIC/TAS - Melbourne
Tel: +61 3 9784 1211
WA - Perth
Tel: +61 8 9273 1900
SA/NT - Adelaide
Tel: +61 8 8244 6000
ACT Distribution
Tel: +61 2 6280 6476

OFFICES - OVERSEAS
Waterco (Europe) Limited
Sittingbourne, Kent, UK
Tel: +44 (0) 1795 521 733
Waterco (USA) Inc
Augusta, Georgia, USA
Tel: +1 706 793 7291
Waterco Canada
Longueuil, Quebec, Canada
Tel: +1 450 748 1421
Waterco (NZ) Limited
Auckland, New Zealand
Tel: +64 9 525 7570

Waterco (C) Limited
Guangzhou, China
Tel: +86 20 3222 2180
Waterco (Far East) Sdn Bhd
Selangor, Malaysia
Tel: +60 3 6145 6000
PT Waterco Indonesia
Jakarta, Indonesia
Tel: +62 21 4585 1481
Waterco Singapore Int'l Pte Ltd
Nehsons Building, Singapore
Tel: +65 6344 2378

Waterco France
SAINT PIERRE, France.
Tel: +33 4 72 79 33 30

DISTRIBUTED BY:

WATERCO
water, the liquid of life



WATERCO
water, the liquid of life

www.waterco.com



How Hydrochlor Works

The main function of Hydrochlor is to produce chlorine that sanitises the pool water. The pool water, which contains dissolved salt, passes over Hydrochlor's salt cell, which splits the salt into its basic components, one of which is chlorine.

A salt water chlorinated pool requires much less attention than a chlorine pool. A salt water pool provides a more comfortable swimming environment.

"A salt-water chlorinated pool requires much less attention than a chlorine pool."

Easy to Program

Hydrochlor TS features an easy to use analogue timer. Just move the tappets to either the on or off position to program the chlorinator.

Battery Back Up

A battery backup is incorporated to save your settings in the event of a power failure.

Low Maintenance

Hydrochlor TS Self Cleaning Salt Cell has the added ability to reverse voltage polarity to clean calcium build-up off its electrodes.



"The concentration of salt in a human tear is about 5000 ppm"

Hydrochlor TS Power Pack

The Power Pack monitors and controls chlorine production by regulating the amount of electrical energy supplied to the salt cell.



Hydrochlor TS Self Cleaning Salt Cell

The Hydrochlor's salt cell consists of a series of titanium electrodes with opposite charges. Hydrochlor's clear salt cell housing allows visual inspection of the salt cell plates and enables the monitoring of chlorine production.

